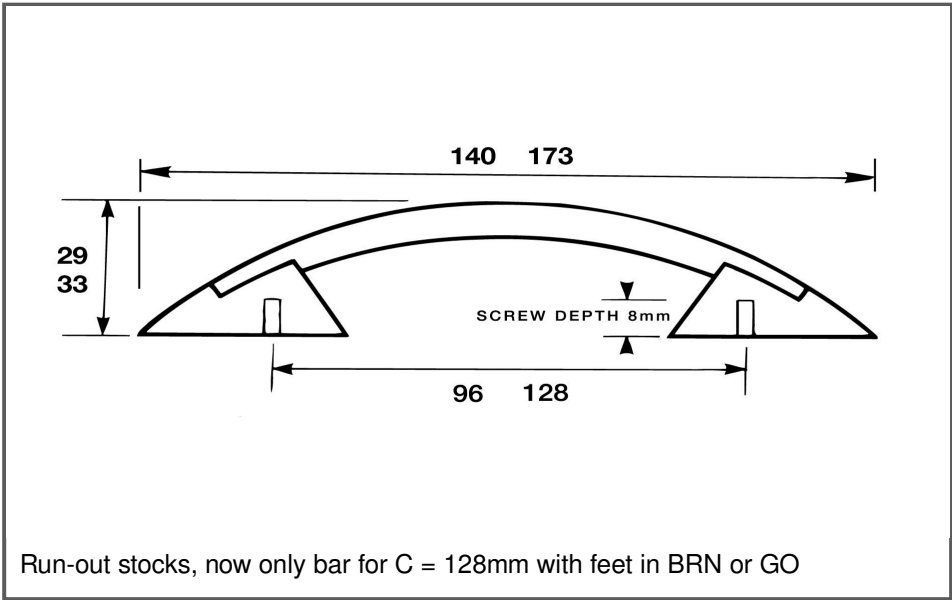
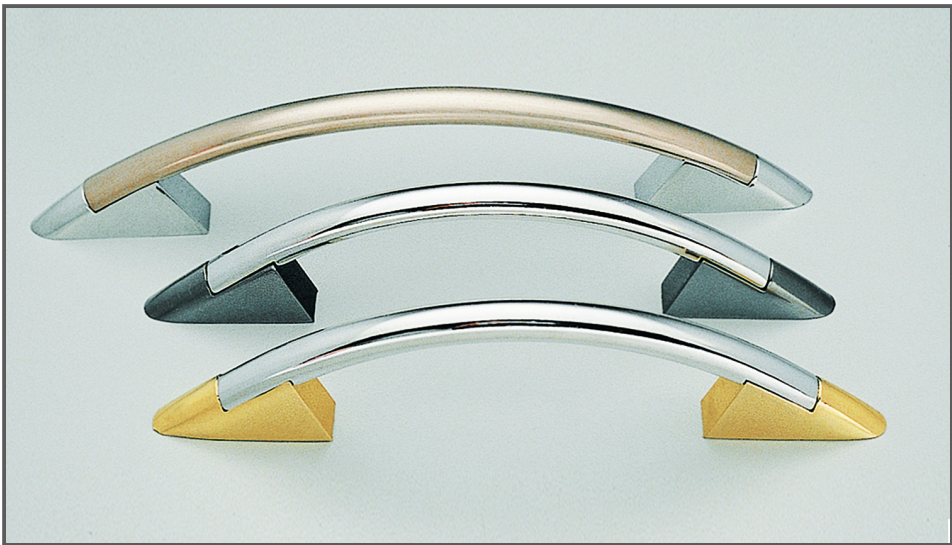


Sydney Head Office Phone: (02) 9542 1991	
Sydney Head Office Fax: (02) 9542 4662	
Article Number: D235 / reference C / colour bar_colour feet	
Melbourne 0400 578 885	
Auckl Email	600 y.com
A	C
140	96
173	128
-	-
P	W
29	10
33	10
-	-
Colours available:	<p>BRUSHED NICKEL Brushed Nickel Bar/Brushed Nickel Feet (BRNBRN) Brushed Nickel Bar/Gold Feet (BRNGO) Brushed Nickel Bar/Gunmetal Feet (BRNGM) Brushed Nickel Bar/Polished Chrome Feet (BRNPC)</p> <p>GUNMETAL POLISHED CHROME Polished Chrome Bar/Brushed Nickel Feet (PCBRN) Polished Chrome Bar/Gold Feet (PCGO) Polished Chrome Bar/Gunmetal Feet (PCGM) Polished Chrome Bar/Polished Chrome Feet (PCPC)</p>



Run-out stocks, now only bar for C = 128mm with feet in BRN or GO