 The Tracking Magnet Suspension Up&Down
Profile Casambi / Dali / 1-10V compatible

The Tracking Magnet Suspension Up&Down Profile Casambi / Dali / 1- 10V compatible

Flos

No. 06.5020.40

Electrical/mechanical profile for suspended installations.

Designed by FLOS Architectural, 2017



White

Technical

Mounting Linear Systems
IP Rating IP20

Photometric

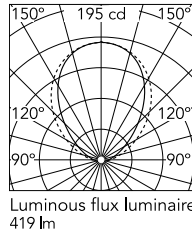
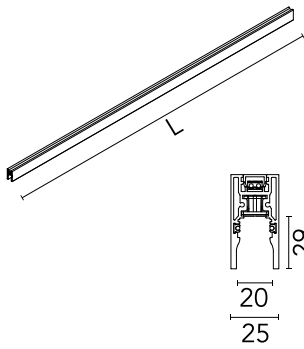
Colour Temp 3000K
Dimming Casambi,1-10V,DALI
Beam Angle 81
CRI 80

Physical

Length 1000
Net Weight (kg) 1.4

Electrical

Power 6.5
Voltage 48
Driver Remote excluded
Insulation class III



Beam Angle: 81°

h(m)	E(lx)	D(m)
1	195	1.72
2	49	3.44
3	22	5.15
4	12	6.87
5	8	8.59