

## The Tracking Magnet Suspension Up&Down Profile Casambi / Dali / 1- 10V compatible 2500 mm

Flos

No. 06.5023.14

Electrical/mechanical profile for suspended installations.

Designed by FLOS Architectural, 2017



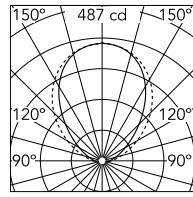
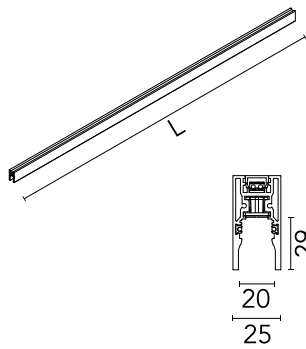
Black

### Technical

Mounting Linear Systems  
IP Rating IP20

### Photometric

Colour Temp 3000K  
Dimming Casambi,1-10V,DALI  
Beam Angle 81  
CRI 80



Beam Angle: 81°

h(m)	E(lx)	D(m)
1	487	1.72
2	122	3.44
3	54	5.15
4	30	6.87
5	19	8.59

Luminous flux luminaire  
1048 lm

### Physical

Length 2500  
Net Weight (kg) 3.48

### Electrical

Power 16.5  
Voltage 48  
Driver Remote excluded  
Insulation class III

