 The Tracking Magnet Suspension Up&Down Profile Casambi / Dali / 1-10V compatible 2500 mm

## The Tracking Magnet Suspension Up&Down Profile Casambi / Dali / 1-10V compatible 2500 mm

Flos

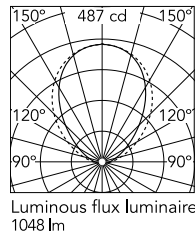
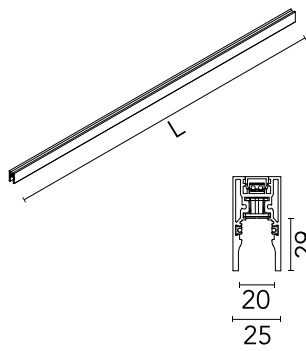
No. 06.5023.40

Electrical/mechanical profile for suspended installations.

Designed by FLOS Architectural, 2017



White



Beam Angle: 81°

h(m)	E(lx)	D(m)
1	487	1.72
2	122	3.44
3	54	5.15
4	30	6.87
5	19	8.59

### Technical

Mounting

IP Rating

Linear Systems

IP20

### Photometric

Colour Temp

3000K

Dimming

Casambi,1-10V,DALI

Beam Angle

81

CRI

80

### Physical

Length

2500

Net Weight (kg)

3.48

### Electrical

Power

16.5

Voltage

48

Driver

Remote excluded

Insulation class

III

