

The Tracking Magnet Suspension Up&Down Profile Casambi / On Board Dimmer compatible 2000 mm

Flos

No. 06.5072.14

Electrical/mechanical profile for suspended installations.

Designed by FLOS Architectural, 2018



Black

Technical

Mounting

Linear Systems

IP Rating

IP20

Photometric

Colour Temp

3000K

Dimming

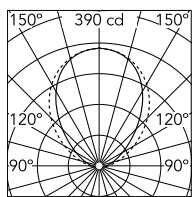
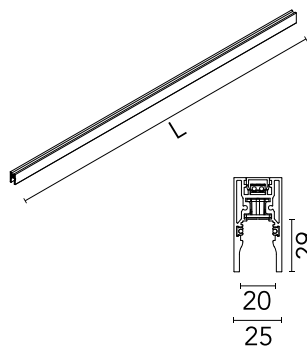
On Board,Casambi

Beam Angle

81

CRI

90



Luminous flux luminaire
838 lm

Beam Angle: 81°

	h(m)	E(lx)	D(m)
1	390	1.72	
2	97	3.44	
3	43	5.15	
4	24	6.87	
5	16	8.59	

Physical

Length

2000

Net Weight (kg)

2.79

Electrical

Power

13

Voltage

48

Driver

Remote

Insulation class

III

