 The Tracking Magnet Suspension Up&Down Profile Casambi / On Board Dimmer compatible 2500 mm

The Tracking Magnet Suspension Up&Down Profile Casambi / On Board Dimmer compatible 2500 mm

Flos

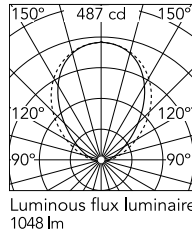
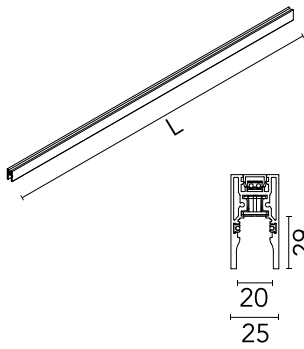
No. 06.5073.05

Electrical/mechanical profile for suspended installations.

Designed by FLOS Architectural, 2018



Polished Aluminium



Beam Angle: 81°

h(m)	E(lx)	D(m)
1	487	1.72
2	122	3.44
3	54	5.15
4	30	6.87
5	19	8.59

Technical

Mounting	Linear Systems
IP Rating	IP20

Photometric

Colour Temp	3000K
Dimming	On Board,Casambi
Beam Angle	81
CRI	90

Physical

Length	2500
Net Weight (kg)	3.48

Electrical

Power	16.5
Voltage	48
Driver	Remote
Insulation class	III

